

RTV

RTV1100

FEATURES



VHT (Variable Hydro Transmission)

A Kubota exclusive! The RTV1100 high-performance, three-range Variable Hydro Transmission ensures that you have the traction, acceleration and power you need to complete even your most heavy-duty tasks.



Powerful Engine

The 1,123cc RTV1100 boasts the largest horsepower engine of any of our RTV models. With 24.8 HP, the RTV1100 is a powerful workhorse – even with the air conditioner running!



5" Air Cleaner

Keep your engine running clean with this standard, high capacity, 5" air cleaner.



Responsive hydrostatic power steering

Off-road driving requires split-second decision-making. The RTV900 responds quickly. It's the first in its class to be equipped with hydrostatic power steering.



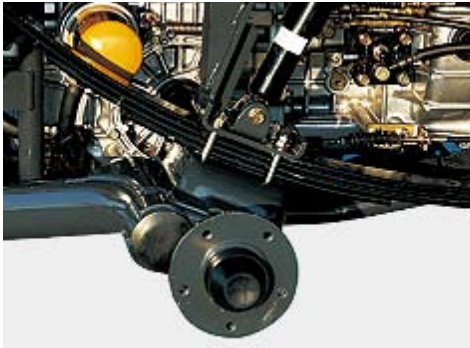
Front suspension

The MacPherson Strut-type suspension on each of the front wheels - an independent suspension system - maximizes shock absorption as well as minimizes body tilt.

RTV

RTV1100

FEATURES



Rear suspension

On each of the rear wheels, the semi-independent suspension-type DeDion axle, the leaf spring, and the shock absorber work together to help you handle heavy loads, even when negotiating rough terrain.



Spacious, dumping cargo bed

Whether it's a big payload or loads of gear, you'll securely haul either in the extra-large cargo bed. A true hydraulic bed-lift system enables easy dumping by simply operating a single lever. The RTV1100 easily carries a 48" pallet.



Steel Front Guard

This stylish and sturdy front guard protects the RTV1100's most vital parts.



Smile
on my mac